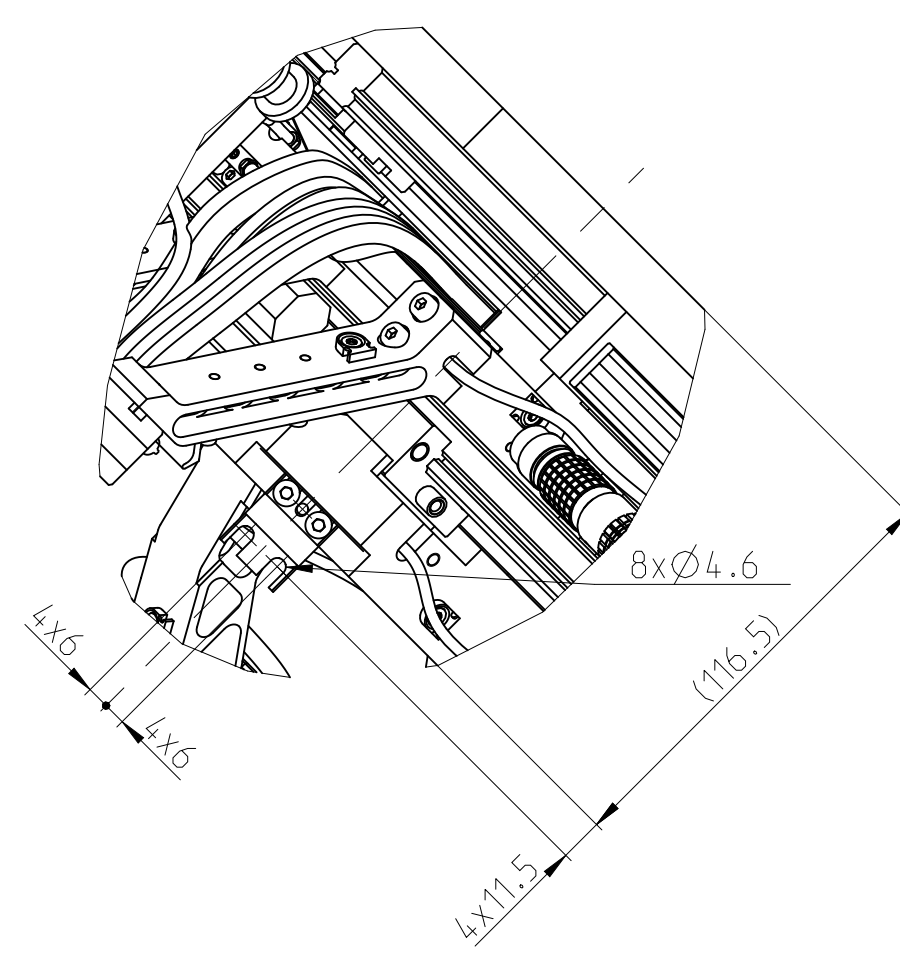
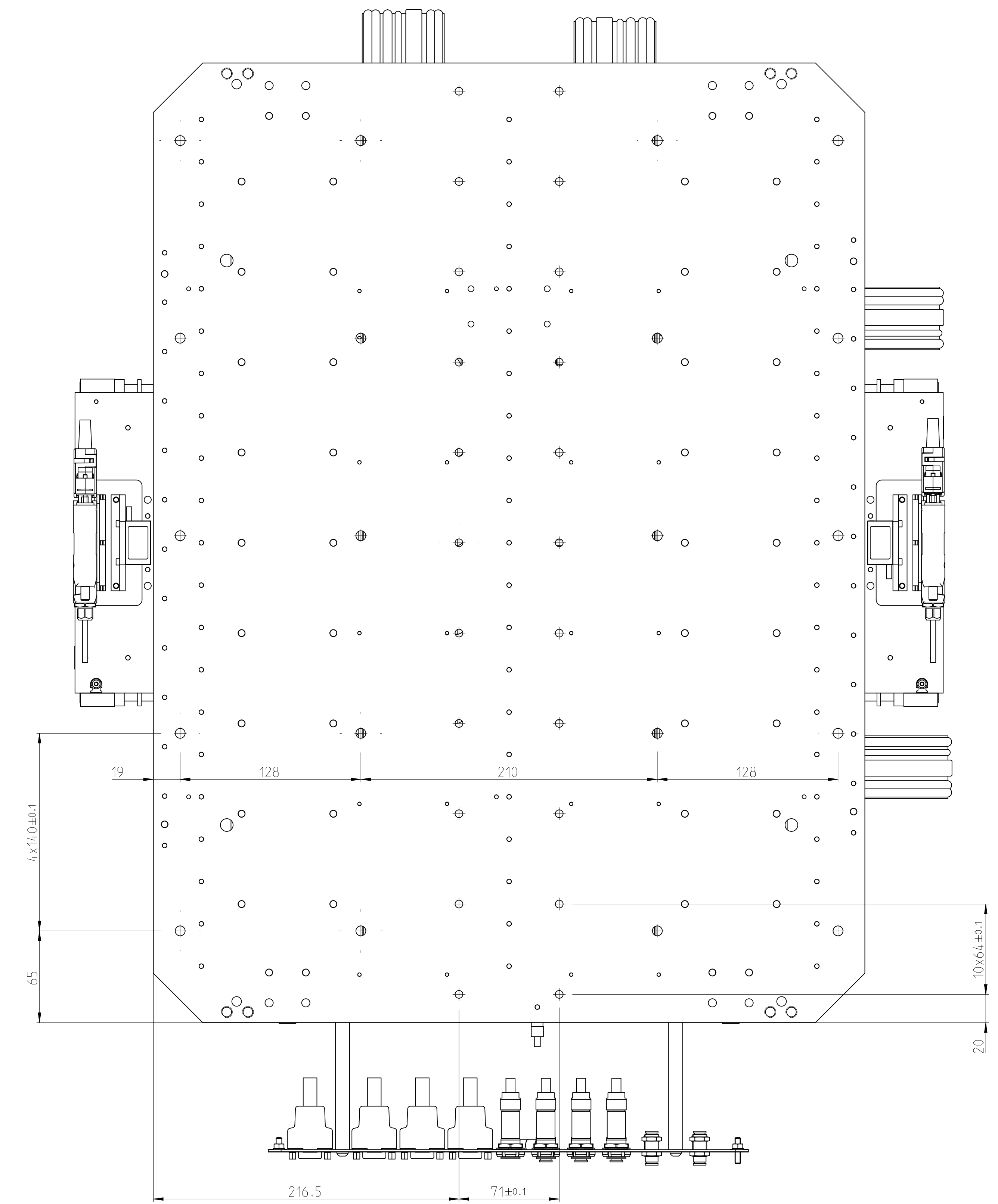
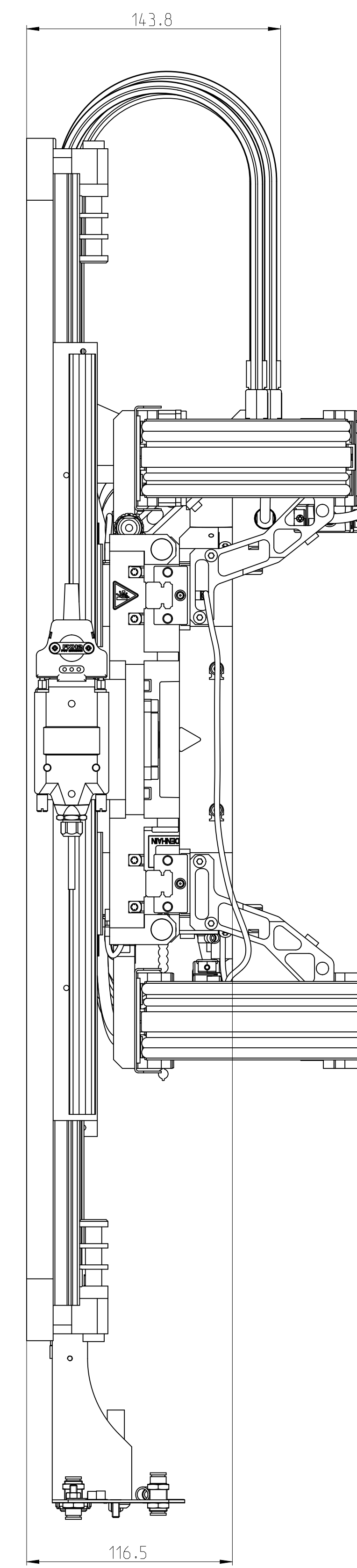
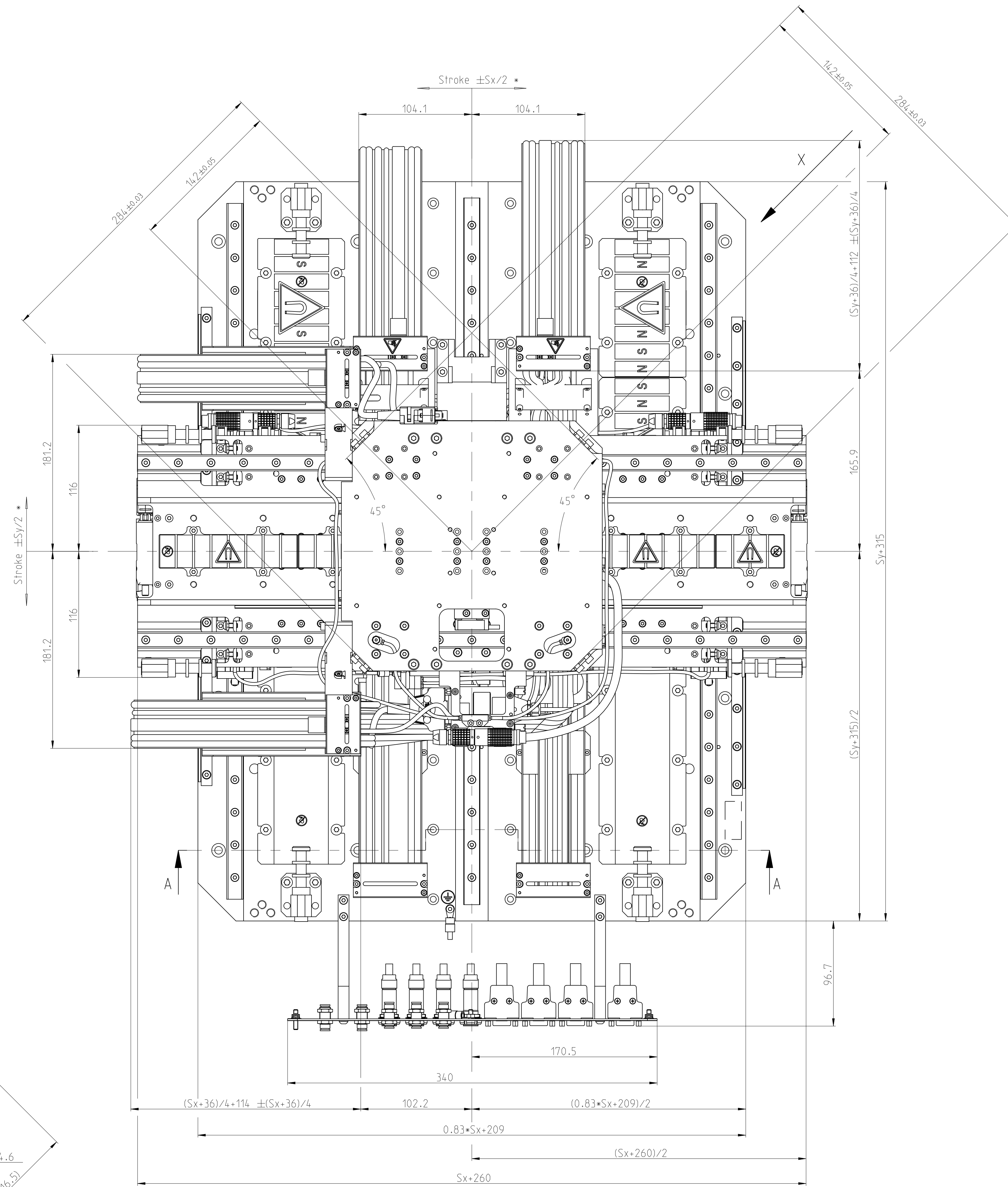


3:10



Stroke X = Sx
Stroke Y = Sy

Travel and travel-dependent dimensions must be confirmed by ETEL whenever a customization takes place

• User stroke
Extra stroke for damper compression 18mm max

ET	Test	-	18091-01
Release n° :	CO-975-10	Non serial	Part number

Material :	-
Treatment :	-
Edges of unfinished shape ISO 1076	-
14.3	14.3

SYSTEM XY (GENERIC)				Drawn	Checked	Approved
SYSTEM XY (GENERIC)				Drawn	16-12-2016	
ETEL	ETEL S.p.A. 2102 Milano Via TISSERANDI	This drawing is the property of ETEL S.p.A. and is classified as confidential. Reproduction or distribution without written authorization is prohibited.	Projection AO	Size A0	Scale 1:2	Doc n° 1191874
						Version/Revision 01 A 01