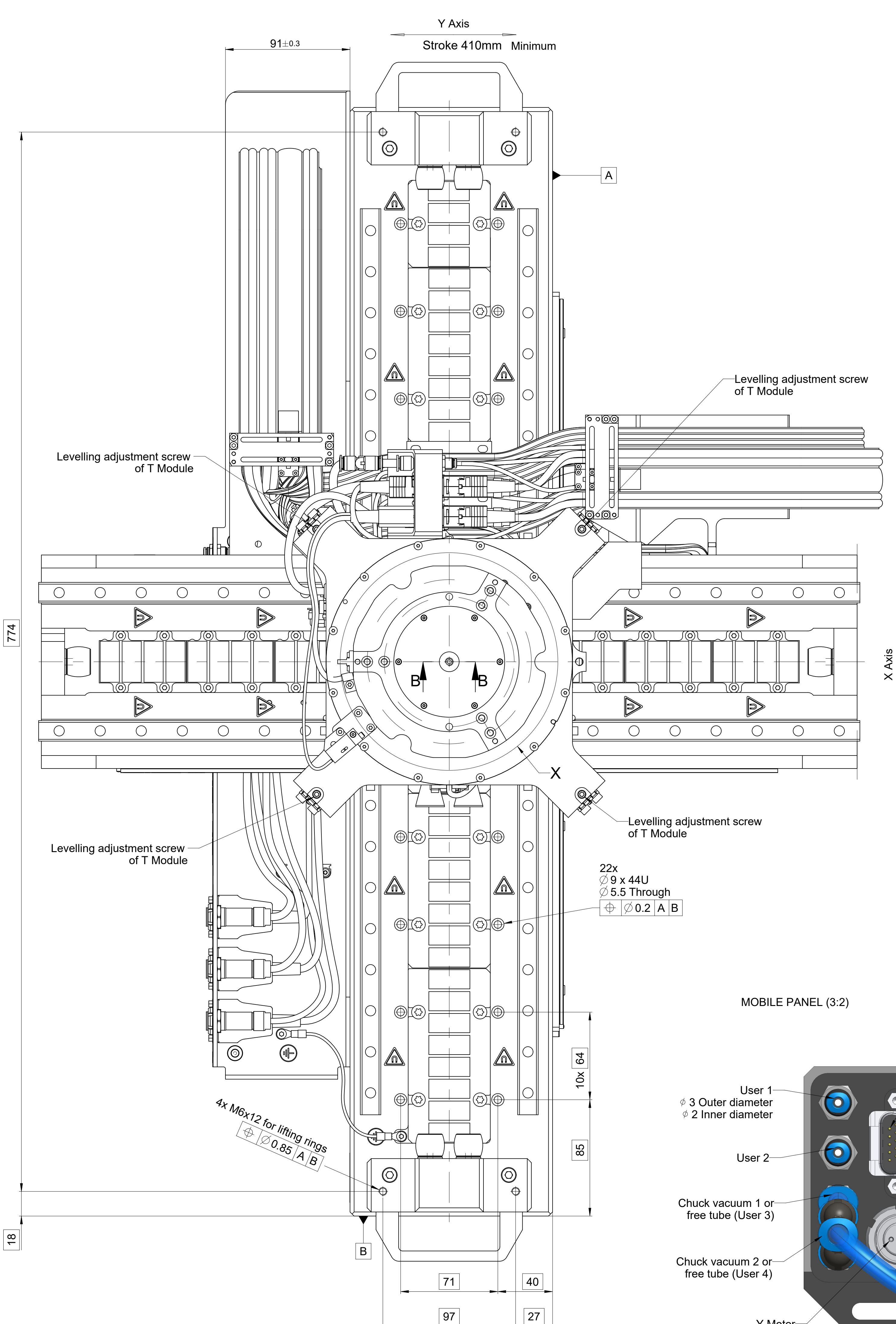
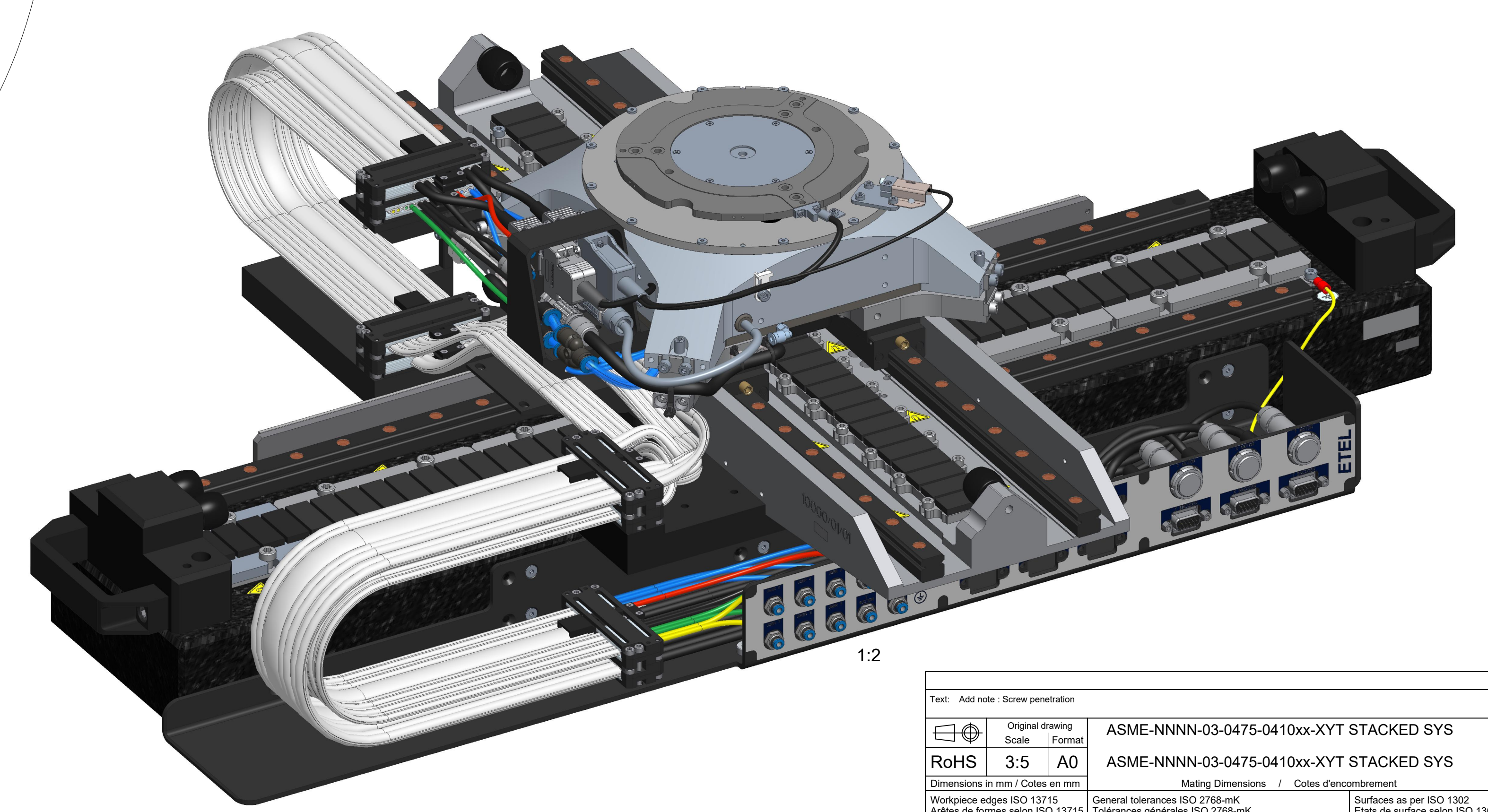
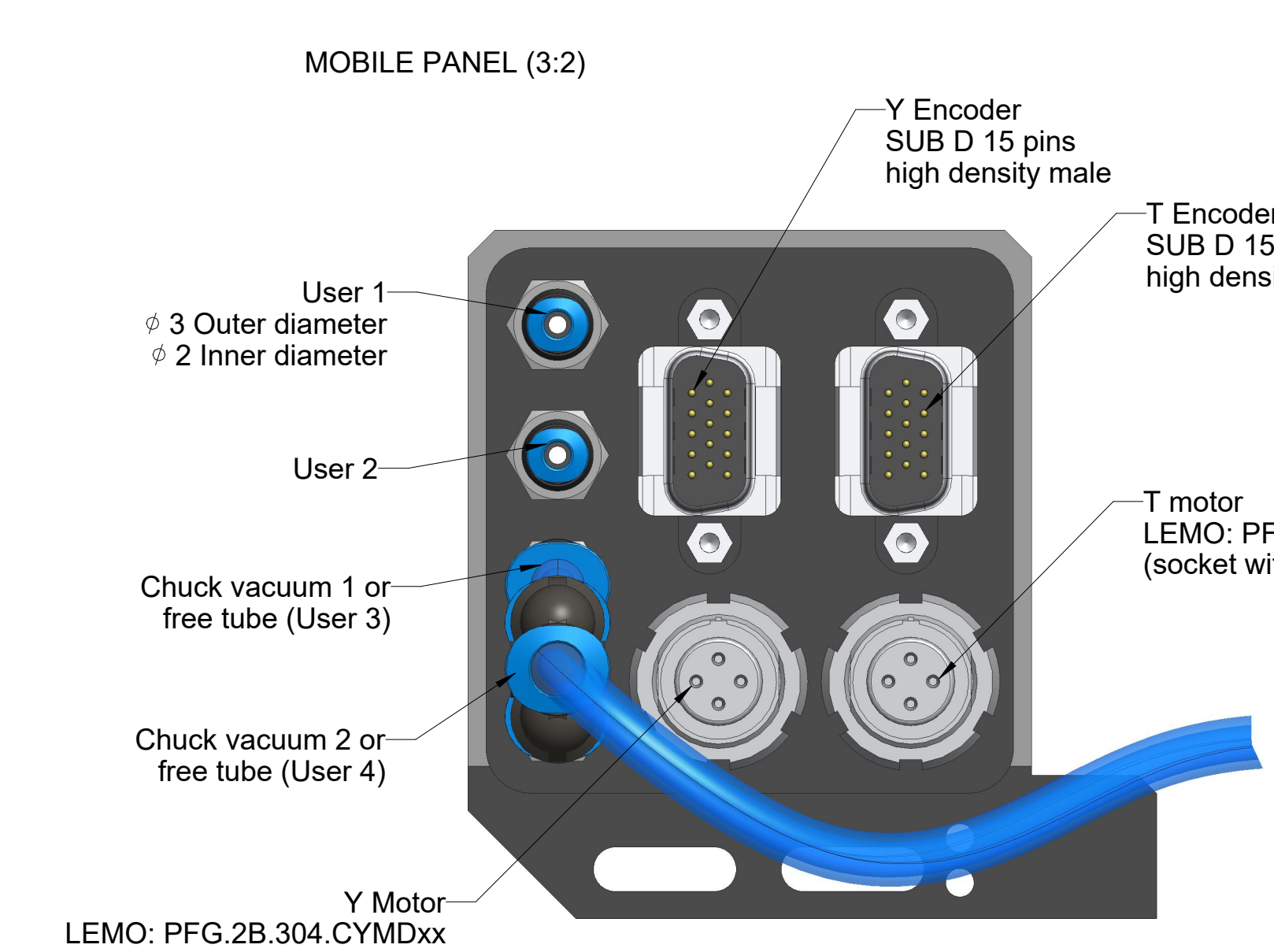
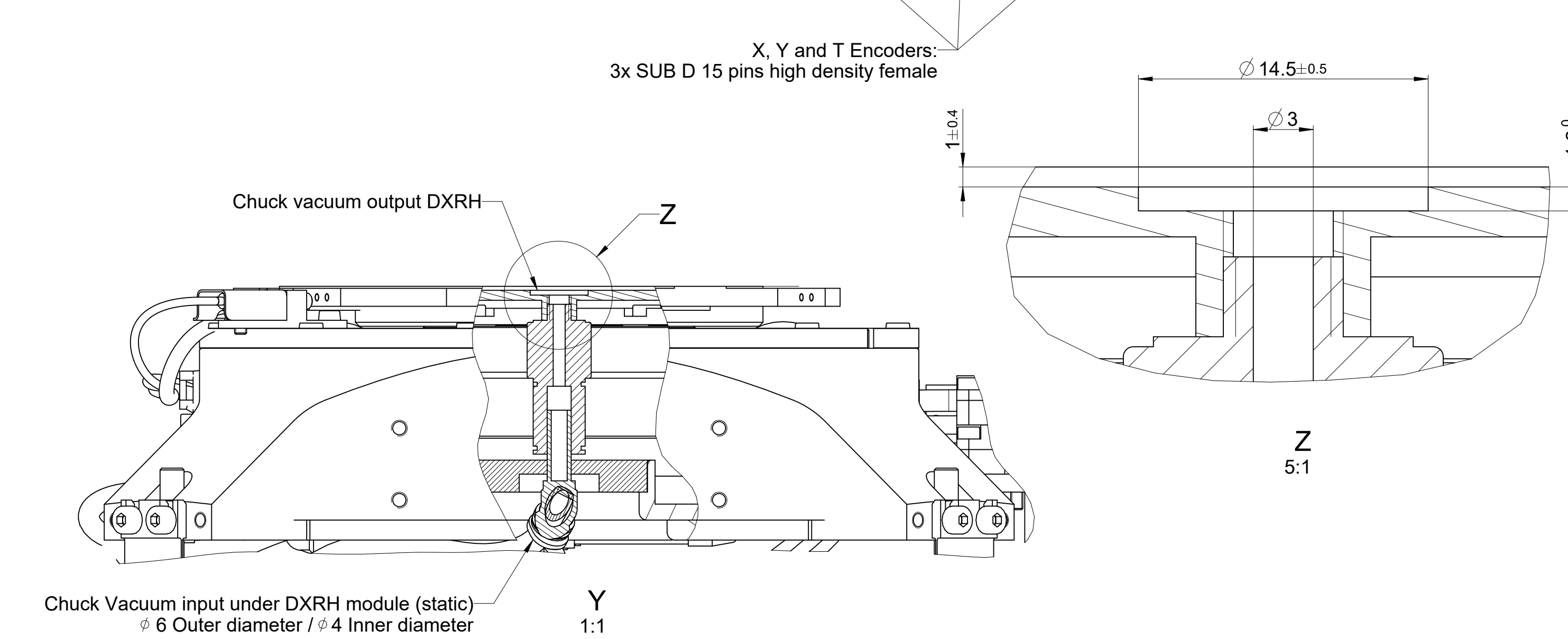
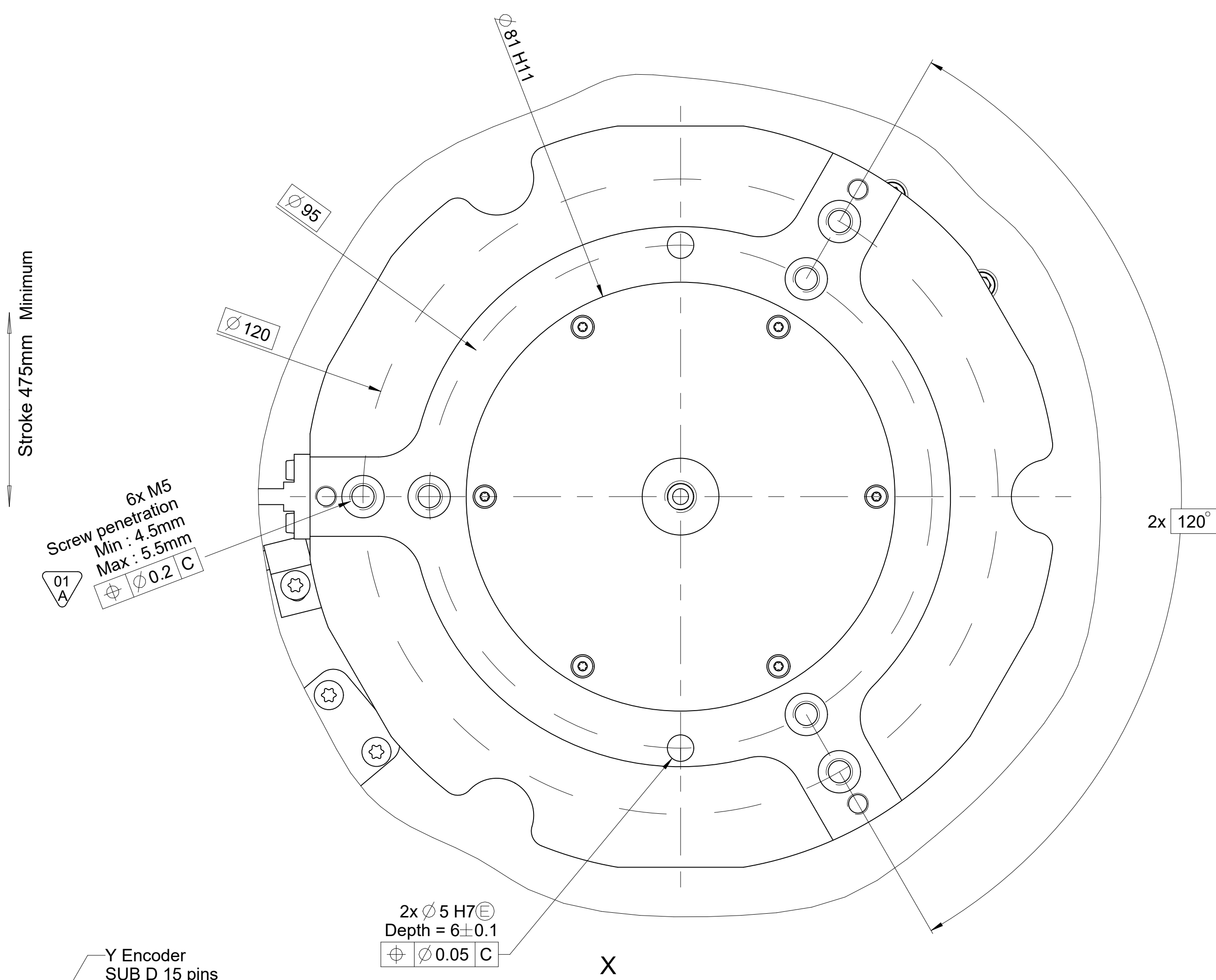
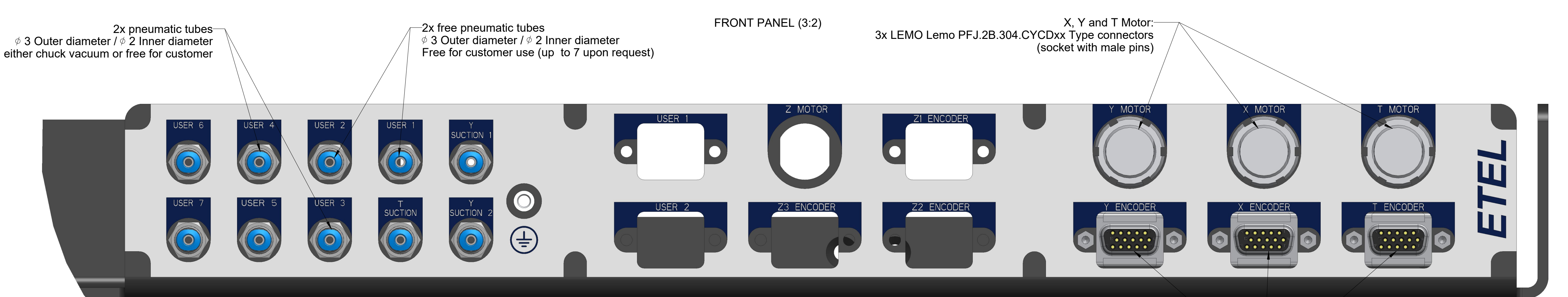


\* Dimensions with cables at the end of the strokes



X Axis Stroke 475mm Minimum



It is required to mount Charon 2 Stages on a granite or equivalent flat surface with a flatness inferior or equal to 3 microns

More information about User 5 to User 7 tubes upon request

1352726-01		ID number
Text	Add note: Screw penetration	Change No. C139467-53
Original drawing	ASME-NNNN-03-0475-0410xx-XYT STACKED SYS	Revised: 31.05.2022
Scale	Format	Material:
RoHS 3:5 A0	ASME-NNNN-03-0475-0410xx-XYT STACKED SYS	
Dimensions in mm / Cotes en mm	Mating Dimensions / Cotes d'assemblage	Surface as per ISO 1302
Workpiece edges ISO 13715	General tolerances ISO 2768-mS	Etats de surface selon ISO 1302
Arêtes de formes selon ISO 13715	Tolerances générales ISO 2768-mK	Traitement de surface
±0.1	±0.3	Surface treatment
±0.3	Tolerances as per ISO 8015 : 2011	Traitement de surface
±0.5	Tolerances selon ISO 8015 : 2011	
The reproduction, distribution and utilization of this document as well as the communication of its contents to others without express authorization is prohibited. Offenders will be held liable for the payment of damages. All rights reserved in the event of a patent, utility model or design. (ISO 16016)		
ETEL S.A. 2112 Möhles SWITZERLAND		Version (Revision/Sheet) Page 1 of 1
1352724-01 - A-01		Document number